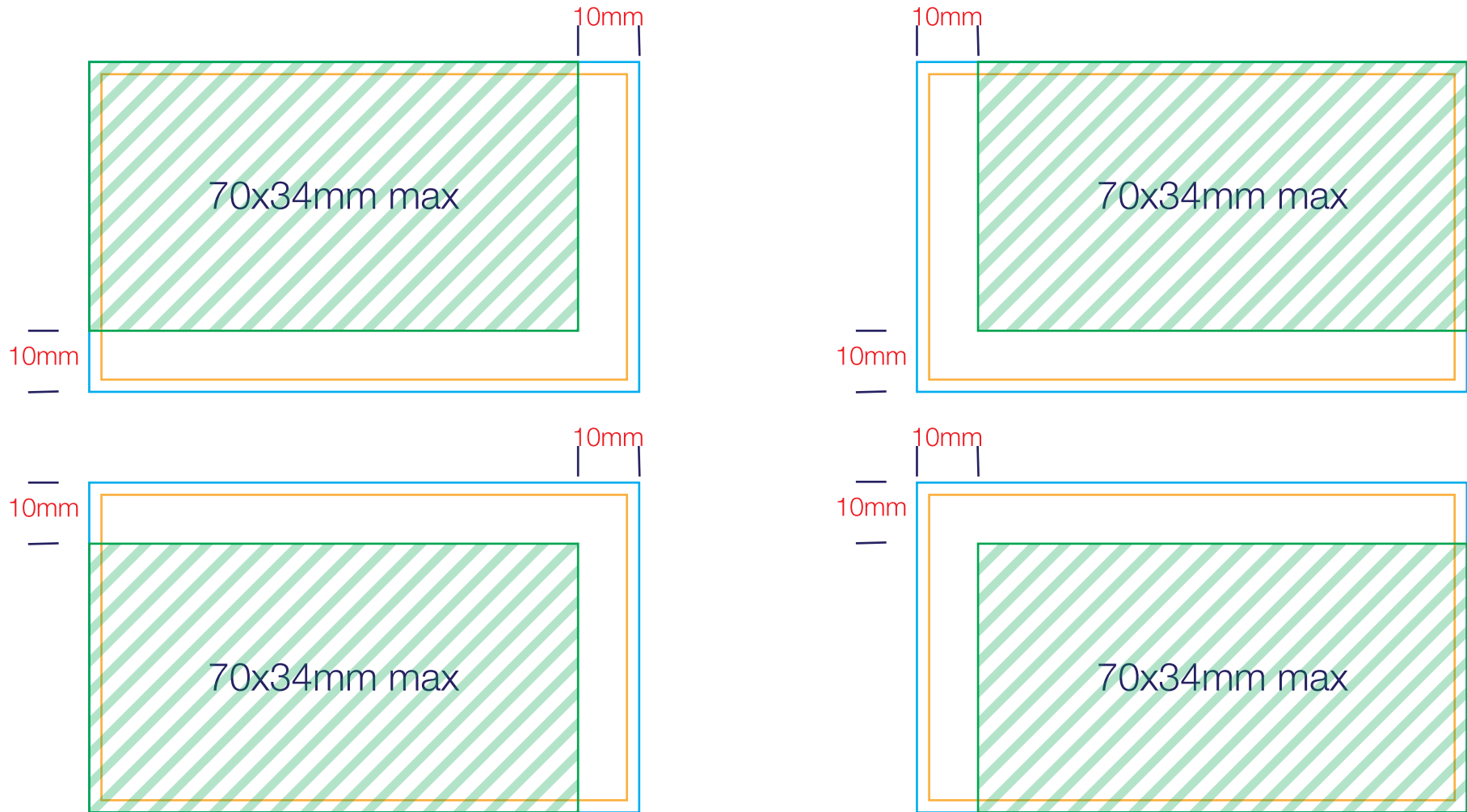
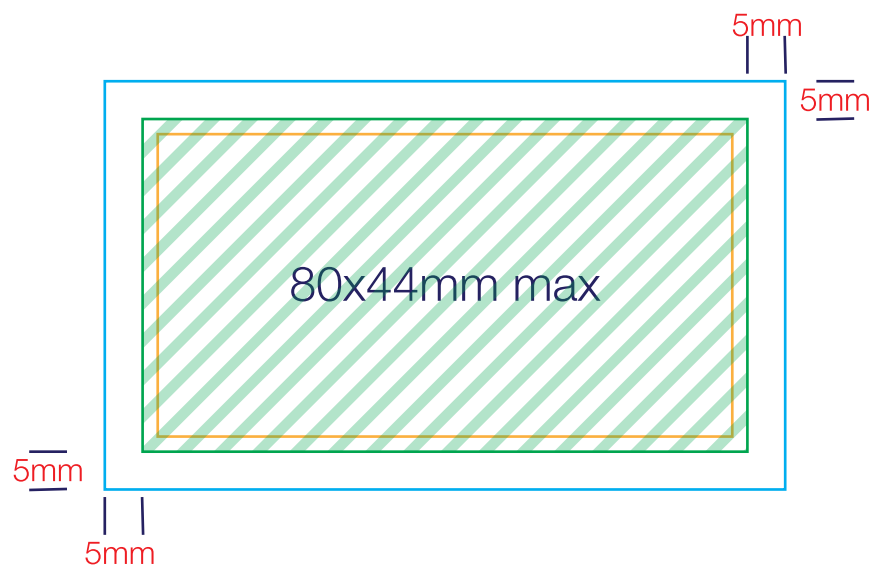


# PREMIUM UNCOATED - LIMITED POSTPRESS FOR SIZE OVER 30X30MM

Available area for foil stamp, emboss, deboss and letterpress, max size 70x34mm.  
At least 10mm inner from edges of 2 neighbouring sides.



Available area for die cut, max size 80x44mm. At least 5mm inner from all edges.



Do not hesitate to contact us if you are not sure about your artwork.